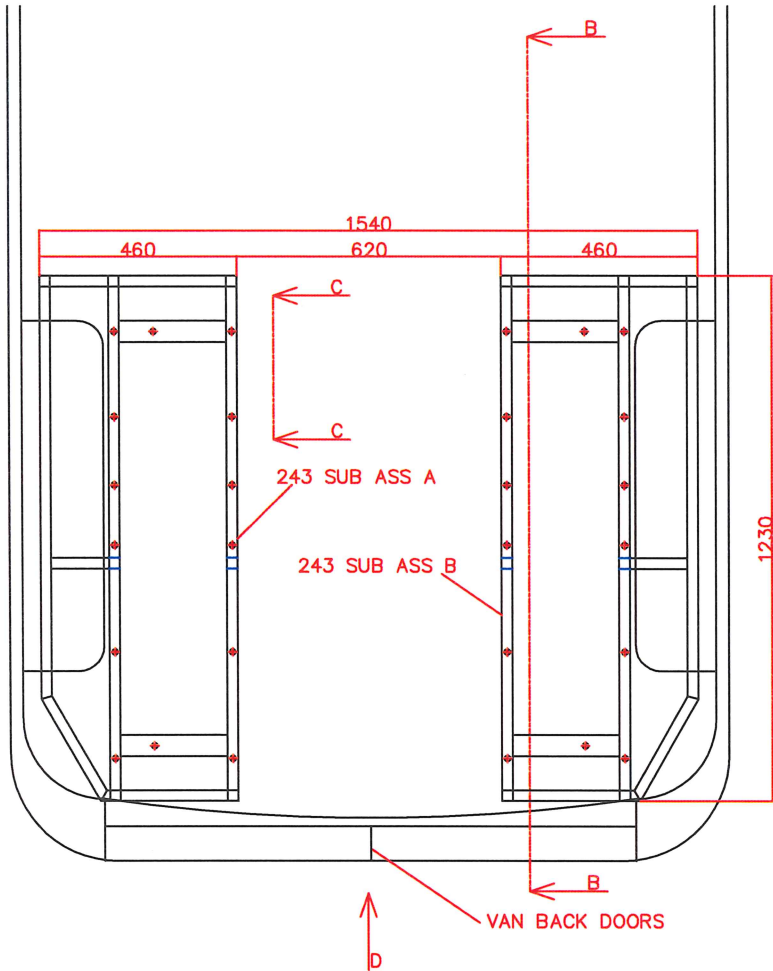


U SHAPED WALK THROUGH BED  
 FITTING OF BED IN VAN  
 PLUS PARTS LIST

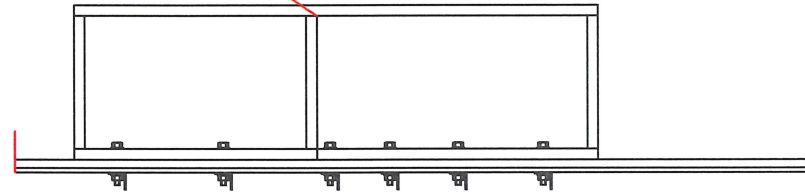
FITTING OF BED  
 POSITION OF BED SHOWN IS IN  
 RESPECT OF A T5 LWB OR SWB  
 VAN. ENSURE BED WILL FIT IN YOUR  
 VAN. EACH OF THE THREE SECTIONS  
 SHOULD BE SECURED WITH AT LEAST  
 4 X M12 BOLTS AND NYLOC NUT  
 TOGETHER WITH THE 40 X 40 ANGLE  
 BRACKET SUPPLIED.



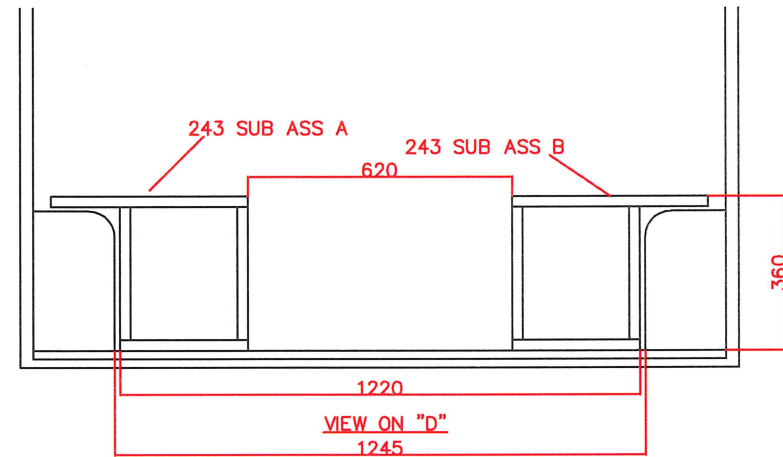
PLAN VIEW OF BED IN VAN



243 SUB ASS B



VIEW ON B-B



VIEW ON "D"  
 1245