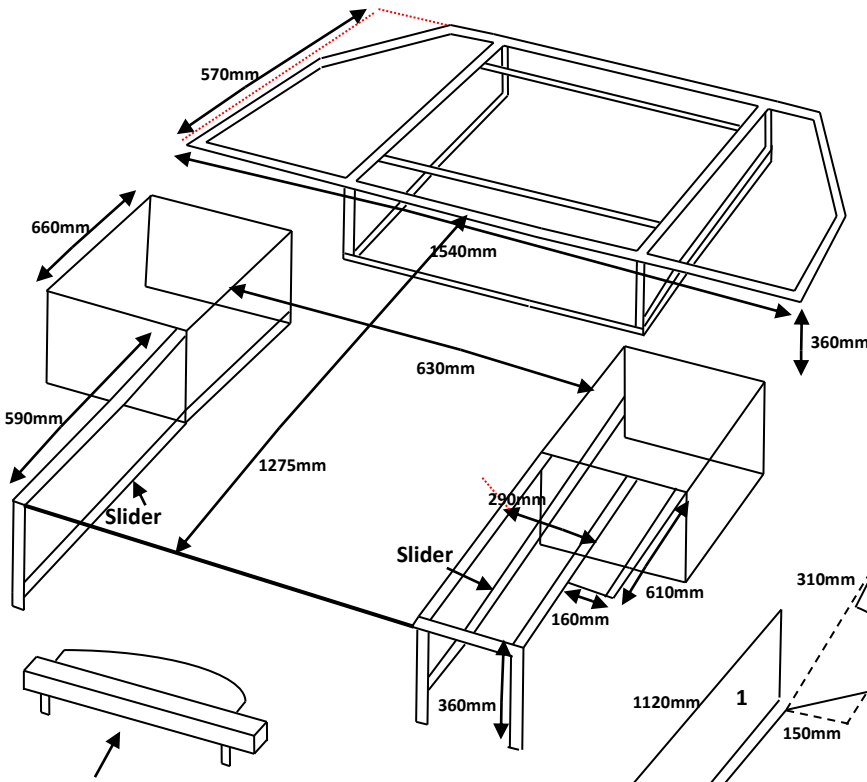
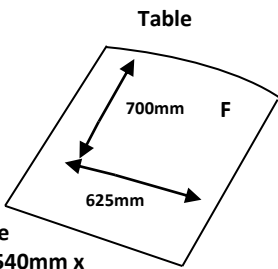
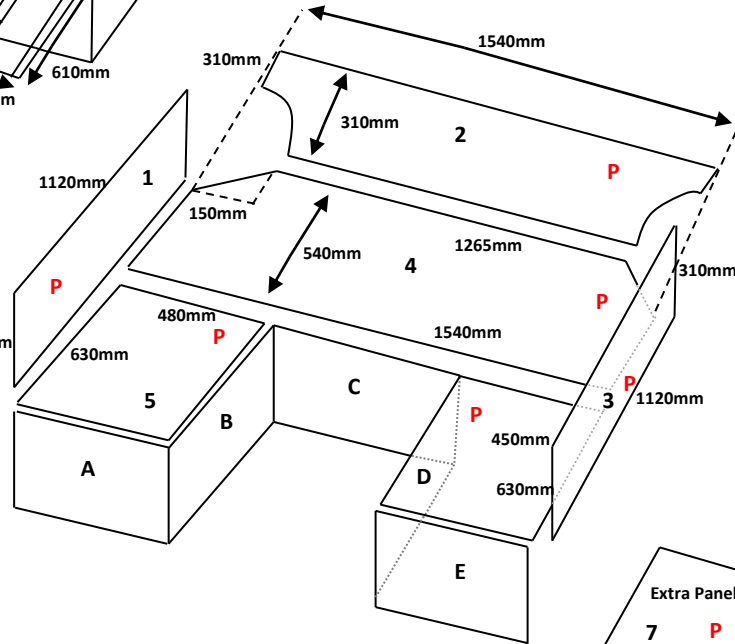
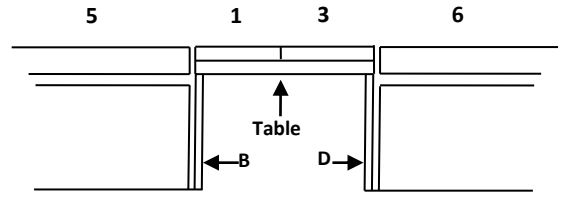


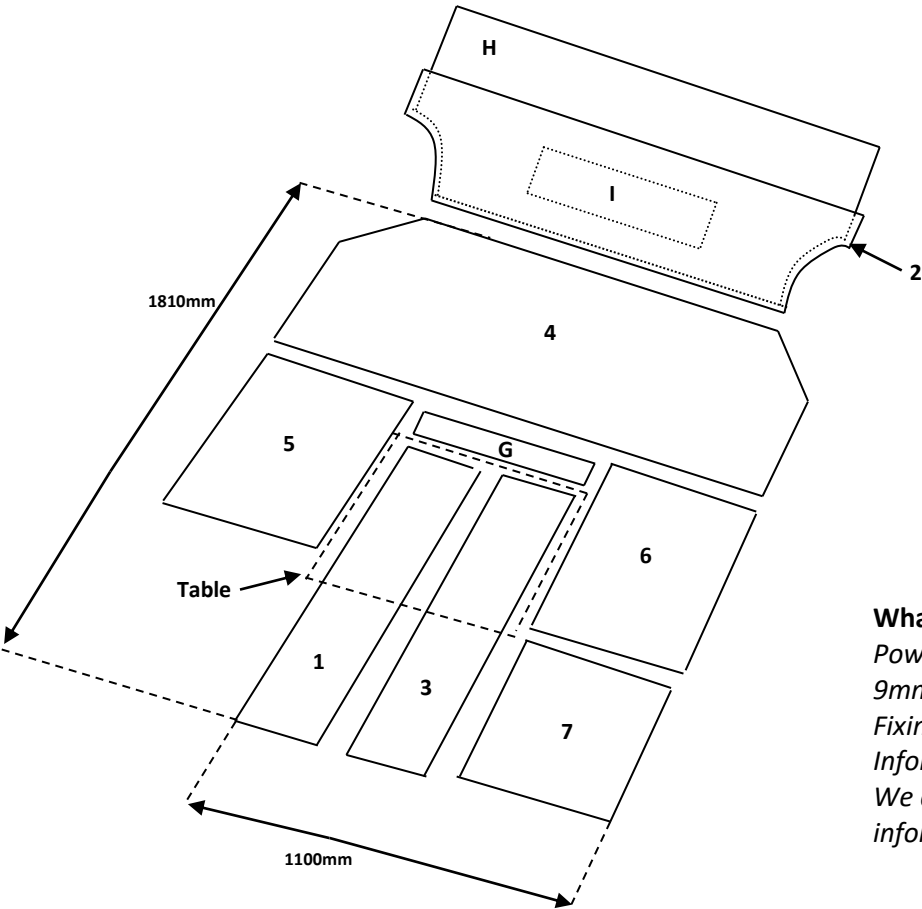
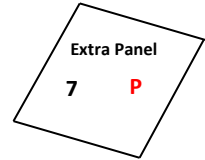
T5 SWB & LWB 'Ryhope' U-Shaped Bed Seat



Section Through



Total Bed Size
1810mm x 1540mm x 1100



Boards Supplied:

- 1
- 2
- 3
- 4
- 5
- 6

P = Plywood
G Panel To Measure Yourself

Boards Not Supplied:

- 7 - Table
- A
- B
- C
- D
- E
- F
- G
- I
- H

These sizes and layouts are only a guide to how the layout works

What you get:

- Powder coated with runners*
- 9mm ply shapes as seen*
- Fixing to fasten frame down to body*
- Information sheet*
- We do not supply the seat belts, but can assist with information to help you with choice*